

RIDE THE BLUE WAVE!

Wash with Confidence with Blue Wave Laundry Equipment



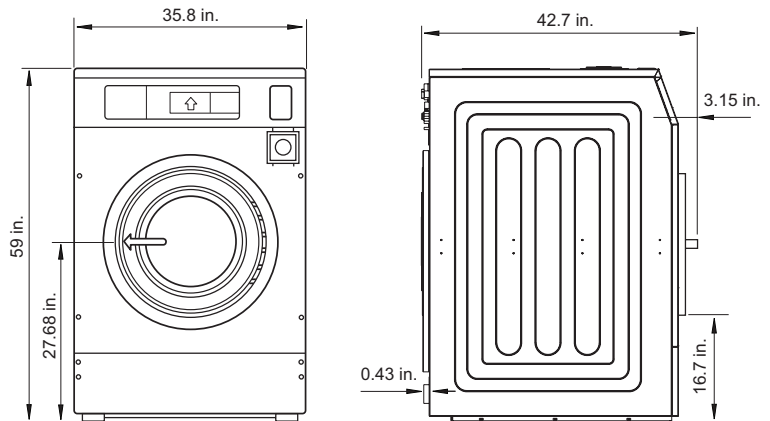
UVR SERIES

FEATURES AND BENEFITS:

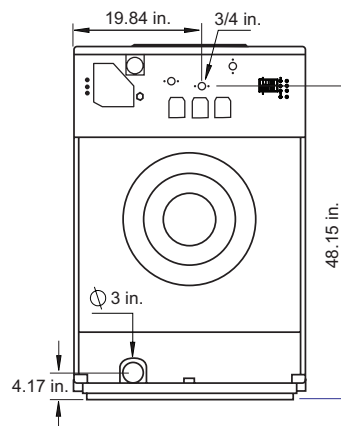
- WINDOWS BASED, 7", TOUCH SCREEN CONTROLLER
- LG. LOADING /UNLOADING DOOR
- DISINFECTION LEVEL UV ON-BOARD
- S.S . FRONT, SIDE, AND TOP PANELS FOR ELEGANT LOOK
- 30 FULLY PROGRAMMABLE CYCLES
- 3 YEAR WARRANTY
- EFFICIENT, TEMP CONTROLLED, WATER MIXING VALVES
- WORLD CLASS COMPONENTS
- HEAVY DUTY A-FRAME
- 200 G-FORCE EXTRACT
- ADVANCED INVERTER DRIVE
- VENTED LIFTING RIBS



SPECIFICATIONS	UNIT	UVR25	UVR35	UVR45	UVR65
Loading Capacity	lbs.	25	35	45	65
Volume	Ltr	3.85	4.77	6.32	8.83
Diameter	in.	25.6	25.6	25.6	29.5
Depth	in.	13	16.14	21.4	22
Washing Speed	rpm	32	32	32	32
Mid Extract Speed	rpm	420	420	420	420
High Extract Speed	rpm	700	700	700	700
G-Force		200	200	200	200
Center of door to floor	in.	25.5	25.5	25.5	27.7
Bottom of door to floor	in.	14.5	14.5	14.5	16.7
Door	in.	15.75	15.75	15.75	15.75
Motor Pwr	kw	1.5	1.85	2.2	3
Circuit Protection	Amp	10	10	10	20
Electrical	VAC	220/60/1	220/60/1	220/60/1	220/60/1
Water Inlet	in.	3/4	3/4	3/4	3/4
Drain Diameter	in.	3	3	3	3
Floor to center of drain	in.	3.85	3.85	3.85	4.17
Dimensions					
Length	in.	34.5	37.6	43.4	42.7
Width	in.	31.7	31.7	31.7	35.8
Height	in.	50.8	50.8	51	59
Net Weight	lbs.	567	600	628	783



Drawing Specs: UVR65



LaundriTek Inc.
 4855 W McDowell Road • Suite 140B
 Phoenix, AZ 85035
 602-449-8964

LAUNDRI**TEK**

Laundri**TEK**.com